

XTIRPA™

PRODUCT BROCHURE

PRODUCT BROCHURE - EN

96" | 2438mm Davit Arm With Adapters

Davit arm equipped with a bracket for the self-retracting lifeline and winch to ease access and rescue in confined spaces. Made to guarantee a safer working environment.



XTIRPA™

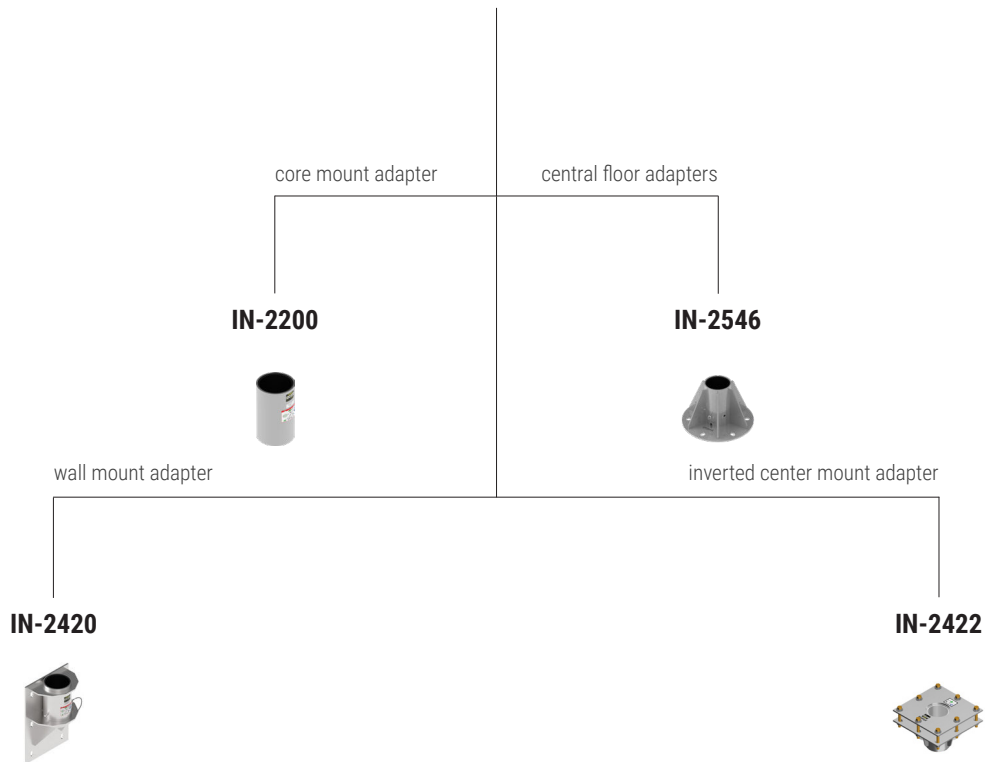
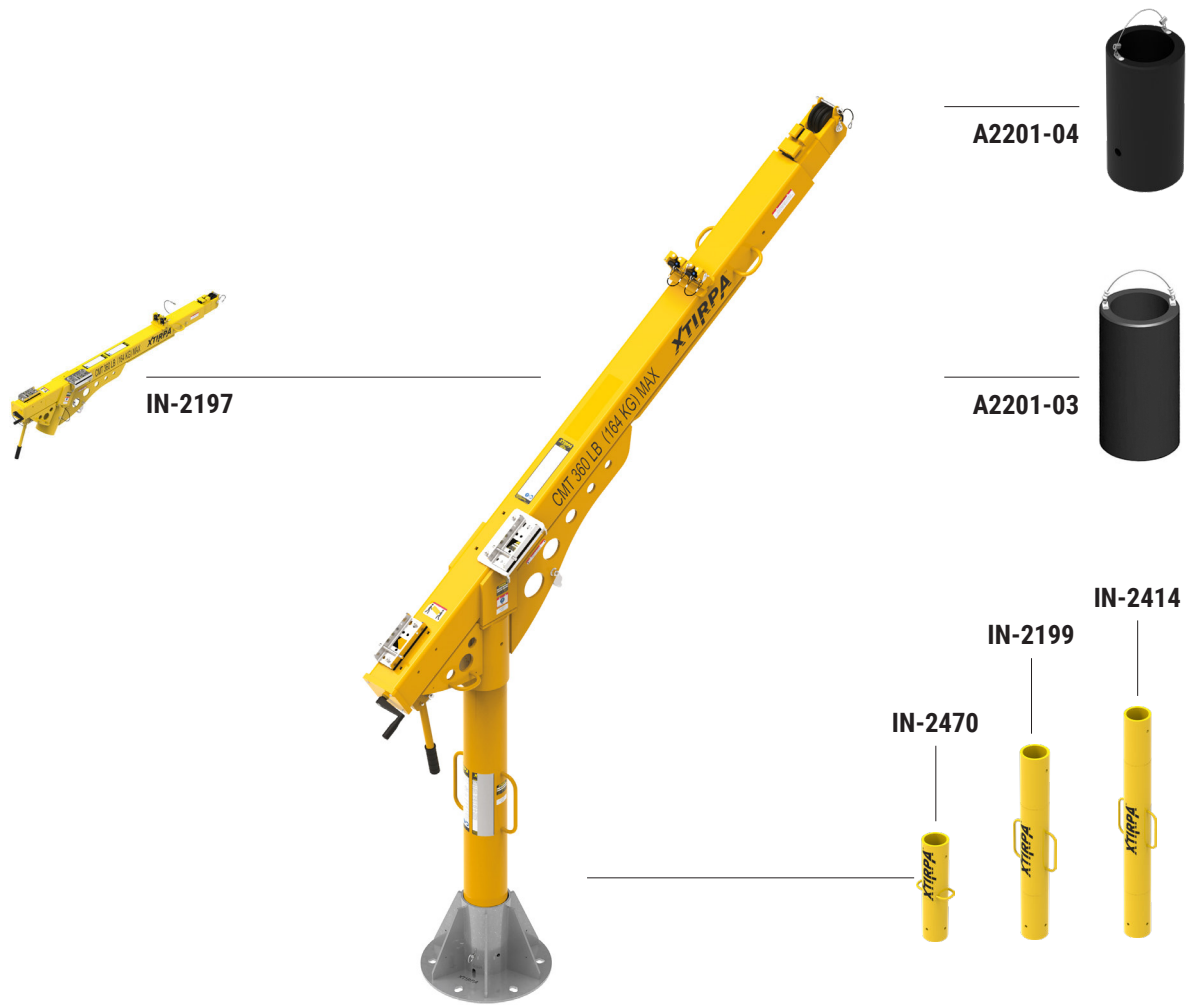
96" | 2438mm

Davit Arm

With Adapters



Assembling scheme



IN-2197 Davit Arm 2438 mm



Equipped with bracket for self-retracting lifeline and winch to facilitate access to confined spaces. Compatible with masts IN-2305, IN-2414 or IN-2470. Can be extended from 60" to 96" (1524 mm to 2438 mm) using a crank handle. Equipped with a 22kN anchor point.

Material:
Also available with marine grade (IN-2197M)

Dimensions:
L 98"-138" (2499-3498mm)
W 10.22" (260 mm)
H 25.68" (652 mm)

Weight:
136.7 lb (62 kg)

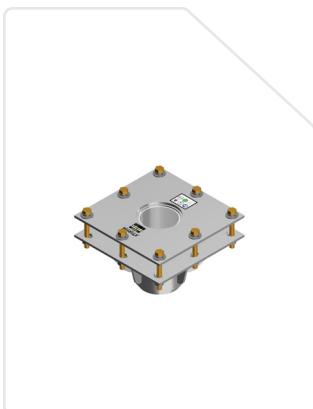


IN-2470 /IN-2199 / IN-2414 Mast

Compatible with 96" (2438 mm) davit arm IN-2197 and a corresponding adapter.

Part	Length	Weight
IN-2470	24" (610 mm)	19 lb (9 kg)
IN-2199	42" (1067 mm)	32.9 lb (15 kg)
IN-2414	54" (1372 mm)	43 lb (20 kg)

Material: Aluminium



IN-2422 140mm (5-1/2) Inverted center mount adapter

Compatible for the IN-2197 Davit and the IN-2199 and IN-2414 Masts

Material: zinc plated steel

Dimensions: 17" (432mm) x 17" (432mm) x 11-5/8" (295mm)

Weight: 120 lb (54 kg)



IN-2420 Wall mount adapter for concrete or steel

Compatible with masts IN-2199, IN-2414 or IN-2470 and 96" (2438 mm) davit arm IN-2197. Anchor bolts not included.

*Allowable working angle.

Material: AISI 304 stainless steel

Dimensions: L 14" (356 mm) x A 8" (203 mm) x A 22" (559mm)

Weight: 58 lb (26 kg)



IN-2200 Core mount adapter for concrete

Compatible with masts IN-2199, IN-2414 or IN-2470 and 96" (2438 mm) davit arm IN-2197.

*Allowable working angle.

Material: AISI 304 stainless steel

Dimensions: ø 6.6" (168 mm) x A 11.1" (283 mm)

Weight: 20 lb (9 kg)

96" | 2438_{mm}

Davit Arm With Adapters



IN-2546

Central floor adapter with multiple working angle

This stainless steel central floor adapter allows the user to have a multitude of working angles. Compatible with masts IN-2199, IN-2414 or IN-2470. Anchor bolts not included.
*Allowable working angle.

Material: AISI 304 stainless steel
Dimensions: ϕ 18" (457 mm) x H 11.3" (286 mm)
Weight: 64 lb (29 kg)



A2201-04

5.5" to 4" (140 mm to 102 mm) cylinder reducer with cable

Allows the use of 4" masts IN-2313, IN-2426 or IN-2240 on 5" adapters meant for masts IN-2199, IN-2414 and IN-2470.

Material: acetal delrin
Dimensions: ϕ 5.5" (140 mm) x H 10.7" (273 mm)
Weight: 7 lb (3.2 kg)



A2201-03

5.5" to 3" (140 to 76 mm) cylinder reducer with cable

Allows the use of 3" mast IN-2003 on 5" adapters meant for masts IN-2199, IN-2414 and IN-2470.

Material: acetal delrin
Dimensions: ϕ 5.5" (140 mm) x H 10.7" (273 mm)
Weight: 10 lb (4.5 kg)

XTIRPA™

PRODUCT BROCHURE

MODULAR SOLUTIONS Confined Space



CONFINED SPACE ACCESS AND RESCUE SYSTEMS

**ADVANCED DESIGN.
EASY ASSEMBLY.**



CONTACT US

1040, boul. Industriel Granby, QC,
J2J 1A4 Canada

P: +1 540-370-8551

E: info@xtirpa.com

W: www.xtirpa.com